

Ideal for:  
Tyre workshops  
On-site tyre service  
OEM assembly lines

## Easy Gripper Crane

Save  
time  
Improve  
safety



## Professional tools for handling of AGRO and OTR tyres

- Unique 3-point grip
- 90° tilt, horizontal to vertical
- Easy  $\pm 25^\circ$  rotation by hand for bolt alignment
- For hook and insert attachment
- Improve the ergonomic working environment
- Improves safety and efficiency
- Eliminates heavy lifts



Experts in Tyre Handling Equipment



# Improve safety and efficiency

The Easy Gripper Crane improve safety and efficiency. It saves time, and it reduces strain and risks for the operator significantly, making it an ideal tyre handler for everything from tractors and agriculture equipment to material handlers and construction equipment.

## Capability

With a gripping range of Ø1.200 - 2.395 mm (47 - 94") and a lifting capacity of 1.200 kg (2.645 lbs), the Easy Gripper Crane is developed for easy handling of AGRO and OTR tyres.



## Ideal for workshops, on-site tyre service, and OEMs

The Easy Gripper Crane is designed for use with knuckle boom cranes, workshop cranes and overhead cranes and can be delivered for hook and/or insert attachment.



## Compact design

With its compact design, the Easy Gripper Crane has a minimal footprint and makes it easy to manoeuvre in tight spaces.







## Tyre handling in any environment

The Easy Gripper Crane makes it easy to handle a tyre or wheel and place it on e.g. a truck bed, in a storage rack, or mount/demount it on a vehicle.

The Easy Gripper Crane is especially suitable for on-site tyre handling in difficult terrain where utilization of the long reach of the knuckle boom crane is imperative.

## Standard features

The Easy Gripper Crane can be delivered for hook and/or insert attachment, and comes with a hydraulic controlled 90° tilt and clamping function and easy  $\pm 25^\circ$  rotation by hand for bolt alignment.

## Configuration options

The Easy Gripper Crane can be configured in different ways.

The interchangeable set of gripping arms comes in two sizes giving different gripping diameters:

- 1.200 - 1.800 mm (47 - 71")
- 1.790 - 2.390 mm (70 - 94")

The interchangeable connecting rod comes as standard in three different lengths: 700 mm (28"), 1.000 mm (39") and 2.300 mm (91").

## Advantages

- Eliminates heavy lifts
- Easy to operate - even single-handedly
- Quick change of the gripping diameter
- Handling of tyres both vertical and horizontal
- Tyre handling on soft surfaces and in difficult terrain
- Customization on request



Easy 360° vertical rotation by hand



Reduces strain and risk for the operator



Easy  $\pm 25^\circ$  rotation by hand for bolt alignment - 1



Easy  $\pm 25^\circ$  rotation by hand for bolt alignment - 2

## Technical Specifications

Weight - hook attachment:	330 kg (727 lbs)
Weight - insert attachment:	375 kg (827 lbs)
Lifting capacity:	1.200 kg (2.645 lbs)

The Easy Gripper Crane is designed for use with knuckle boom cranes, workshop cranes and overhead cranes and can be delivered in two versions:

For hook attachment



For insert attachment



## Technical Requirements

Hydraulic: 1 single or double acting hydraulic valve at the end of the crane boom

### A Sets of Gripping arms:

1.200 - 1.800 mm (47 - 71")

1.790 - 2.390 mm (70 - 94")

### B Connecting rods:

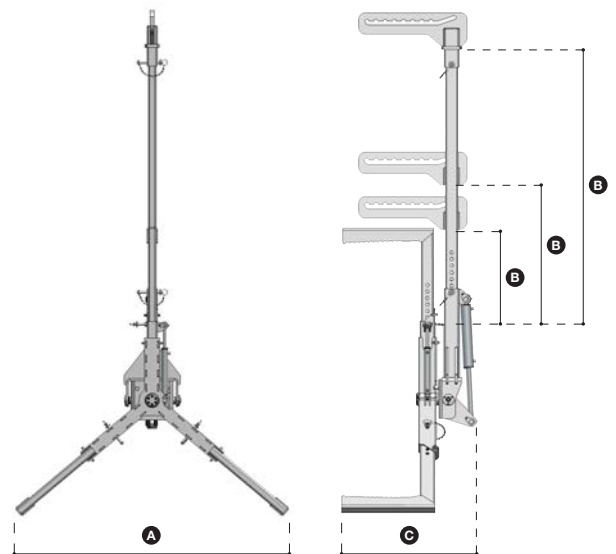
700 mm (28")

1.000 mm (39")

2.300 mm (91")

### C Width:

1040 mm (41")



Authorized Dealer



+45 72 344 344  
info@justeasytools.dk  
www.justeasytools.com  
VAT no.: DK33644809

Just Easy Tools ApS  
Nybovej 33  
DK-7500 Holstebro  
Denmark